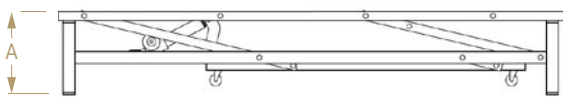


# MOTORISED BED LIFT

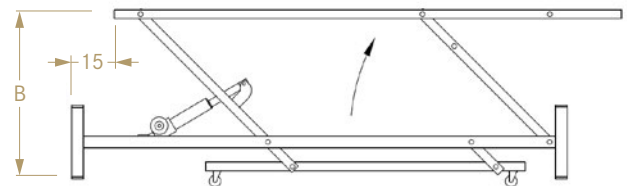
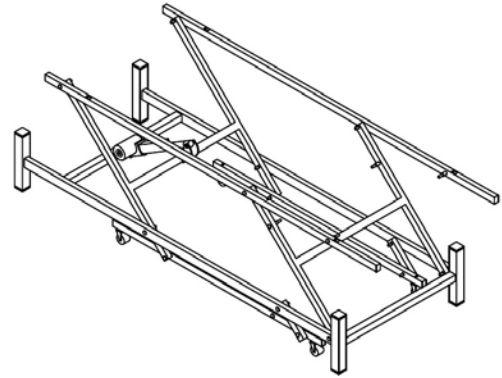
Motorised sliding lifting system for beds of different widths. This lifting structure improves ergonomics in the workplace and makes the day-to-day work of bedroom staff easier.

Made from high-quality tubular steel sections with a high-resistance black epoxy lacquer finish.

A	without castor	20,5
	with castor	24,5
B	without castor	50,5
	with castor	54,5



Low position



High position

## CHARACTERISTICS

- 5000 N electric motor with actuator.
- 40 mm rubber swivel castors.
- 5-year guarantee (electronics : 2-year)

Option without castor

- Plastic protection blocks under the feet.

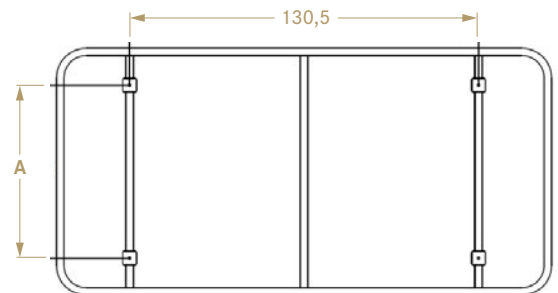
## TÉLÉCOMMANDE SANS FIL (BLUETOOTH) AVEC BOÎTIER DE CONNEXION



## AIMANT NÉODYME AVEC BOÎTIER D'ACTIVATION



## ANCRAGE DU SOMMIER



	Largeur de lit (cm)	Espacement (cm)
A	80-105	62
	110-125	90
	135-150	116
	160	126